

RADIO RECEIVER BC-684-A

CAPACITORS

C1.1	16 MMF MAX
C1.3	16 MMF MAX
C1.5	16 MMF MAX
C1.7	16 MMF MAX
C1.2	62 MMF MAX
C1.4	62 MMF MAX
C1.6	62 MMF MAX
C1.8	62 MMF MAX
C2	0.006 MF 300 V
C3	0.006 MF 300 V
C4	0.006 MF 300 V
C5	0.006 MF 300 V
C6	0.006 MF 300 V
C7	0.006 MF 300 V
C8	500 MMF 500 V
C9	0.004 MF 300 V
C10	0.75 MMF 500 V
C11	0.004 MF 300 V
C12	0.01 MF 300 V
C13	500 MMF 500 V
C14	0.006 MF 300 V
C15	0.5 MF 600 V
C16	2 MF 600 V
C17	0.01 MF 300 V
C18	0.01 MF 300 V
C19	0.02 MF 500 V
C20.1	0.1 MF 600 V
C20.2	0.1 MF 600 V
C20.3	0.1 MF 600 V
C21	0.01 MF 300 V
C22	0.005 MF 300 V
C23	40 MF 25 V
C24	1 MF 600 V
C25	2 MF 600 V
C26	0.004 MF 300 V
C27	0.004 MF 300 V
C28	10 MMF 500 V
C29	5 MMF 500 V
C30	0.004 MF 300 V
C31	700 MMF 500 V
C32	200 MMF 500 V
C33	100 MMF 500 V
C34	30 MMF 500 V
C35	100 MMF 500 V
C36	10 MMF 500 V
C37	100 MMF 500 V
C38	100 MMF 500 V
C39	0.001 MF 500 V
C40	50 MMF 60 MMF 500 V
C41	10 MMF OR SEE NOTE 2
C42	10 MMF 60 MMF 500 V
C43	50 MMF OR SEE NOTE 2
C44	50 MMF OR SEE NOTE 2
C45	0.006 MF 300 V
C46	0.006 MF 300 V
C47	0.006 MF 300 V
C48	0.006 MF 300 V
C49	0.006 MF 300 V
C50	0.006 MF 300 V
C51	0.006 MF 300 V
C52	0.006 MF 300 V
C53	0.006 MF 300 V
C54	0.006 MF 300 V
C55	0.006 MF 300 V
C56	0.006 MF 300 V
C57	0.006 MF 300 V
C58	0.006 MF 300 V
C59	0.006 MF 300 V
C60	0.006 MF 300 V
C61	0.006 MF 300 V
C62	0.006 MF 300 V
C63	0.006 MF 300 V
C64	0.006 MF 300 V
C65	0.006 MF 300 V
C66	0.006 MF 300 V
C67	0.006 MF 300 V
C68	0.006 MF 300 V
C69	0.006 MF 300 V
C70	0.006 MF 300 V
C71	0.006 MF 300 V
C72	0.006 MF 300 V
C73	0.006 MF 300 V
C74	0.006 MF 300 V
C75	0.006 MF 300 V
C76	0.006 MF 300 V
C77	0.006 MF 300 V
C78	0.006 MF 300 V
C79	0.006 MF 300 V
C80	0.006 MF 300 V
C81	0.006 MF 300 V
C82	0.006 MF 300 V
C83	0.006 MF 300 V
C84	0.006 MF 300 V
C85	0.006 MF 300 V
C86	0.006 MF 300 V
C87	0.006 MF 300 V
C88	0.006 MF 300 V
C89	0.006 MF 300 V
C90	0.006 MF 300 V
C91	0.006 MF 300 V
C92	0.006 MF 300 V
C93	0.006 MF 300 V
C94	0.006 MF 300 V

RESISTORS

R1	20,000 1/2 W
R2	250,000 1/2 W
R3	5,000 1/2 W
R4	50,000 1/2 W
R5	5,000 1 W
R6	100,000 1/2 W
R7	30,000 1 W
R8	400,000-70,000 1/2 W
R9	1,000 1/2 W
R10	250,000 1/2 W
R11	1,000,000 1/2 W
R12	2,000 1/2 W
R13	10,000 1/2 W
R14	250,000 1/2 W
R15	1,000,000 1/2 W
R16	1,000,000 1/2 W
R17	400,000-250,000 1/2 W
R18	100,000 1/2 W
R19	400,000-2,000,000 1/2 W
R20	3000 1 W
R21	30,000 2 W (ADDED)
R22	30,000 1/2 W
R23	5,000 1/2 W
R24	50 1/2 W
R25	2,500 1/2 W
R26	1,200 1/2 W
R27	2,500 1/2 W
R28	2,500 1/2 W
R29	13,000 2 W
R30	50 4 W
R31	8,800 1 W
R32	30,000 1/2 W
R33	30,000 1/2 W
R34	250,000 1/2 W
R35	1,000 1/2 W
R36	100,000 1/2 W
R37	100,000 1/2 W
R38	100,000 1/2 W
R39	100,000 1/2 W
R40	100,000 1/2 W
R41	100,000 1/2 W
R42	100,000 1/2 W
R43	100,000 1/2 W
R44	100,000 1/2 W
R45	100,000 1/2 W
R46	100,000 1/2 W
R47	100,000 1/2 W
R48	100,000 1/2 W
R49	100,000 1/2 W
R50	100,000 1/2 W
R51	100,000 1/2 W
R52	43,000 1/2 W
R53	100,000 1/2 W
R54	100,000 1/2 W
R55	100,000 1/2 W
R56	100,000 1/2 W
R57	100,000 1/2 W
R58	100,000 1/2 W
R59	100,000 1/2 W
R60	100,000 1/2 W
R61	100,000 1/2 W
R62	43,000 1/2 W
R63	100,000 1/2 W
R64	1,000 1/2 W
R65	400,000-250,000 1/2 W
R66	400,000-30,000 1/2 W
R67	10,000 1/2 W
R68	10,000 1,000 1/2 W
R69	70,000 1/2 W

SWITCHES

D1	REC ON-OFF
D2	OUTPUT TO PHONES ON-OFF
D3	ON-OFF SPEAKER
D4	ON-OFF SQUELCH
D5	TUNE-OPERATE

APPARATUS LEGEND

LAMP

E1 CALL SIGNAL (NEON)

FUSE

F1 FUSE 15 AMP

JACKS

J1 PHONES
J2 PHONES
J3 FRONT PANEL JACK

LOUD SPEAKER

LS1 LOUD SPEAKER

COILS

L1 LIMITER CATHODE CHOKE
L2 ANTENNA COUPLING
L3 R-F PLATE
L4 MIXER GRID
L5 R-F OSCILLATOR
L6 OSC SHUNT FEED
L7 1st I-F GRID
L8 MIXER PLATE
L9 2d I-F GRID
L10 1st I-F PLATE
L11 2d I-F PLATE
L12 DISCRIMINATOR INPUT
L13 LIMITER PLATE
L14 I-F OSCILLATOR

POTENTIOMETERS

P1 100,000
P2 200k

PLUGS

PG1 RECEIVER PLUG
PG2 DYNAMOTOR PLUG
PG3 FRONT PANEL PLUG

RESISTORS

R1 20,000 1/2 W
R2 250,000 1/2 W
R3 5,000 1/2 W
R4 50,000 1/2 W
R5 5,000 1 W
R6 100,000 1/2 W
R7 30,000 1 W
R8 400,000-70,000 1/2 W
R9 1,000 1/2 W
R10 250,000 1/2 W
R11 1,000,000 1/2 W
R12 2,000 1/2 W
R13 10,000 1/2 W
R14 250,000 1/2 W
R15 1,000,000 1/2 W
R16 1,000,000 1/2 W
R17 400,000-250,000 1/2 W
R18 100,000 1/2 W
R19 400,000-2,000,000 1/2 W
R20 3000 1 W
R21 30,000 2 W (ADDED)
R22 30,000 1/2 W
R23 5,000 1/2 W
R24 50 1/2 W
R25 2,500 1/2 W
R26 1,200 1/2 W
R27 2,500 1/2 W
R28 2,500 1/2 W
R29 13,000 2 W
R30 50 4 W
R31 8,800 1 W
R32 30,000 1/2 W
R33 30,000 1/2 W
R34 250,000 1/2 W
R35 1,000 1/2 W
R36 100,000 1/2 W
R37 100,000 1/2 W
R38 100,000 1/2 W
R39 100,000 1/2 W
R40 100,000 1/2 W
R41 100,000 1/2 W
R42 100,000 1/2 W
R43 100,000 1/2 W
R44 100,000 1/2 W
R45 100,000 1/2 W
R46 100,000 1/2 W
R47 100,000 1/2 W
R48 100,000 1/2 W
R49 100,000 1/2 W
R50 100,000 1/2 W
R51 100,000 1/2 W
R52 43,000 1/2 W
R53 100,000 1/2 W
R54 100,000 1/2 W
R55 100,000 1/2 W
R56 100,000 1/2 W
R57 100,000 1/2 W
R58 100,000 1/2 W
R59 100,000 1/2 W
R60 100,000 1/2 W
R61 100,000 1/2 W
R62 43,000 1/2 W
R63 100,000 1/2 W
R64 1,000 1/2 W
R65 400,000-250,000 1/2 W
R66 400,000-30,000 1/2 W
R67 10,000 1/2 W
R68 10,000 1,000 1/2 W
R69 70,000 1/2 W

TRANSFORMER

T1 OUTPUT TRANSFORMER

VACUUM TUBES

V1 VT-112 JAN-6AC7
V2 VT-112 JAN-6AC7
V3 VT-94 JAN-6J5
V4 VT-209 JAN-125G7
V5 VT-209 JAN-125G7
V6 VT-112 JAN-6AC7
V7 VT-90 JAN-6H6
V8 VT-107A JAN-6V6GT
V9 VT-229 JAN-6SL7GT
V10 VT-229 JAN-6SL7GT

DYNAMOTOR DM-34-(*) 12 V

CAPACITORS

C701 0.005 0.003 MF 800 V
C702 0.005 0.003 MF 800 V
C703 0.005 0.003 MF 800 V
C704 0.005 0.003 MF 800 V
C705 0.005 0.003 MF 800 V
C706 0.005 0.003 MF 800 V

DYNAMOTOR DM-36-(*) 12 V

COILS

L701 H-V A-F FILTER
L702 L-V R-F FILTER
L703 H-V R-F FILTER
L704 H-V R-F FILTER

JACK

J701 DYNAMOTOR JACK

DYNAMOTOR

MG701 12-V DYNAMOTOR
MG801 24-V DYNAMOTOR

NOTES:

1 - WHEN CAPACITORS C85 AND C86 ARE 60 MMF, CAPACITOR C84 IS OMITTED. (OPTIONAL METHOD NOT SHOWN IN DIAGRAM.)
2 - TWO CAPACITORS REPLACED BY ONE HAVING A CAPACITY EQUAL TO THE TOTAL OF THE REPLACED TWO. (OPTIONAL METHOD NOT SHOWN IN DIAGRAM.)

X ELIMINATED IN LATER UNITS

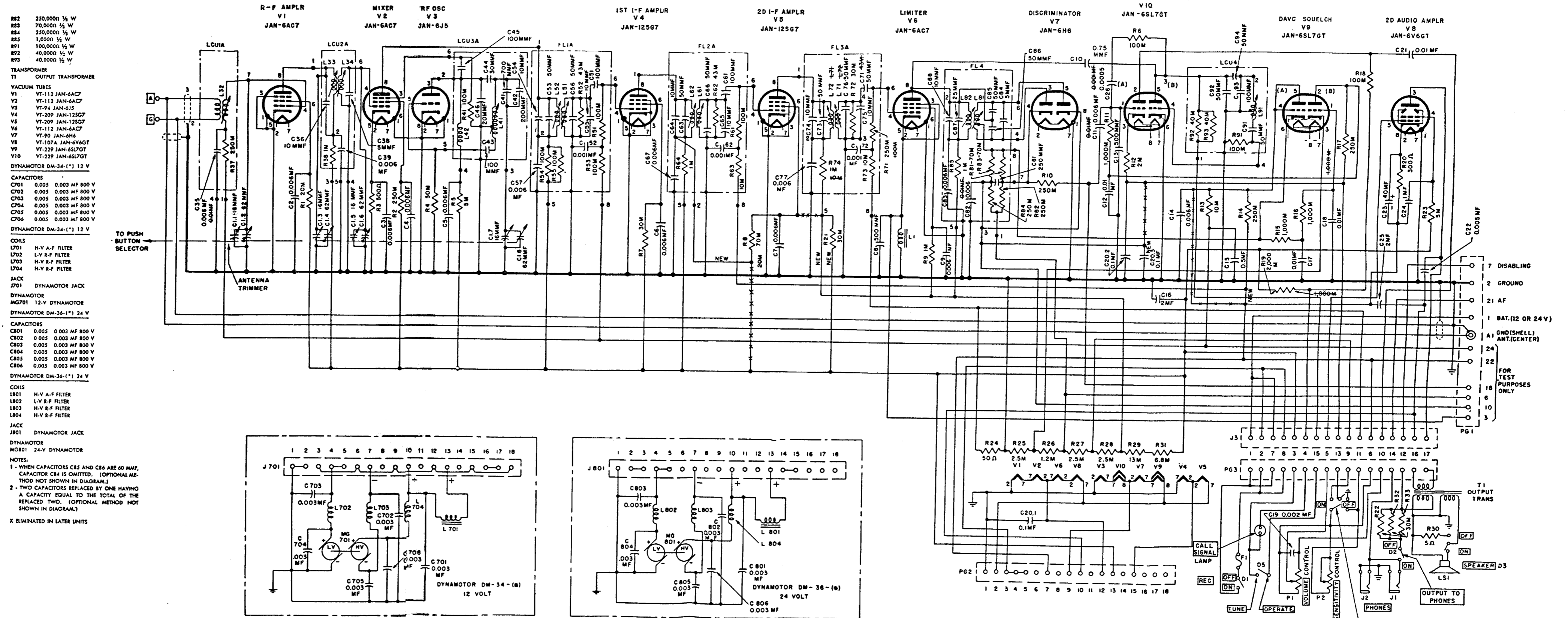


Figure 119. Radio Receiver BC-683-A, schematic diagram showing changes during manufacture.